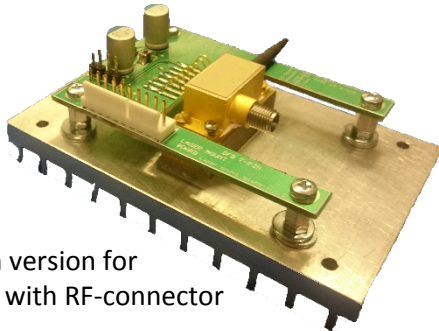


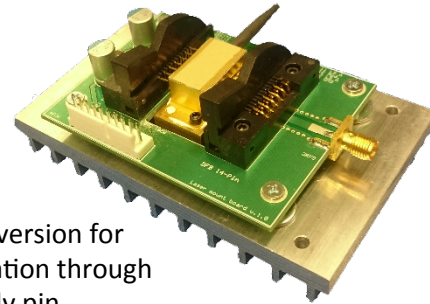
# MLM Series

Mounts for directly modulated lasers

*Lasers not included*



7-pin version for  
laser with RF-connector



14-pin version for  
modulation through  
butterfly pin

**MLM Series** mounts for directly modulated butterfly-package lasers are a convenient heat-sinked package for OEM or lab use. The mounts come in two varieties: a 14-pin butterfly package modulated through one of the pins, or a butterfly package with 7-pins and an RF-connector for modulation. Both varieties can have either direct soldering for permanent laser installation or a socket holder for simple interchanging of lasers.

## KEY FEATURES

- 14-pin butterfly package for 2.5 Gb/s modulation
- 7-pin butterfly package with RF-connector
- Direct solder or socket holder
- Bias current noise filtering
- Heatsink

**RAM PHOTONICS, LLC.**

4901 Morena Blvd., Suite 128, San Diego, CA 92117-3557

[info@ramphotonics.com](mailto:info@ramphotonics.com)

# MLM Series

## Mounts for directly modulated lasers

### 14-pin butterfly package pinout

Pin #	Configuration
1	Thermistor (+)
2	Thermistor (-)
3	Laser Cathode
4	Photodiode Anode
5	Photodiode Cathode
6	TEC (+)
7	TEC (-)
8	Case ground
9	Case ground
10	Case ground
11	Laser Anode
12	RF modulation input
13	Laser Anode
14	Case ground

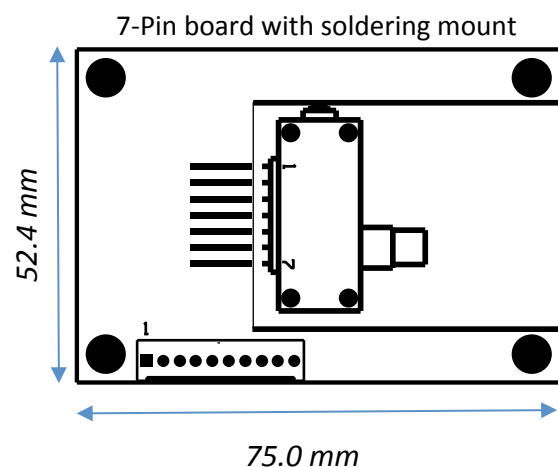
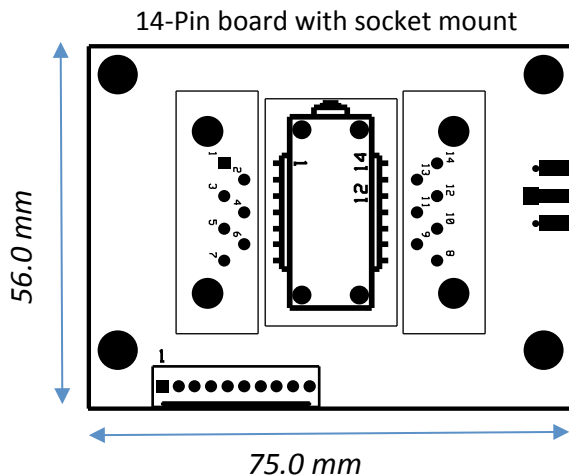
### 7-pin butterfly package pinout

Pin #	Configuration
1	Thermistor (+)
2	Thermistor (-)
3	Laser Cathode
4	Photodiode Anode
5	Photodiode Cathode
6	TEC (+)
7	TEC (-)
RF	RF modulation input
Package	Laser Anode

### Molex connector pinout on PCB

Pin #	Configuration
1	Laser Cathode
2	Photodiode Anode
3	Photodiode Cathode
4	Laser Anode
5	N/C
6	TEC (+)
7	TEC (-)
8	Thermistor (+)
9	Thermistor (-)
10	N/C

Heatsink size: 106.2 mm x 63.5 mm



**RAM PHOTONICS, LLC.**

4901 Morena Blvd., Suite 128, San Diego, CA 92117-3557

[info@ramphotonics.com](mailto:info@ramphotonics.com)